

SMF Pump Performance

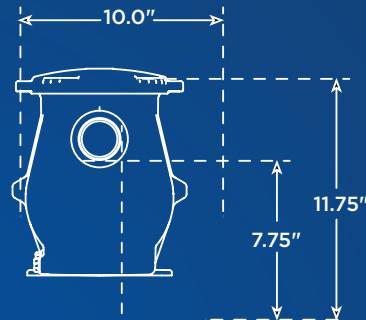
- Super quiet operation
- 2" Unionized (Intake/Discharge)
- One piece pot and volute reduce noise
- Lower flow rates for versatile



Adjustable base available.
Adapts to many existing pumps
in the field without plumbing changes.
675-1380

CHARACTERISTICS

Part No.	Description	Volts	HP
SMF-107	1-Speed	115/208-230 V	¾
SMF-110	1-Speed	115/208-230 V	1.0
SMF-115	1-Speed	115/208-230 V	1.5
SMF-120	1-Speed	115/208-230 V	2.0



SMF PERFORMANCE CHART

