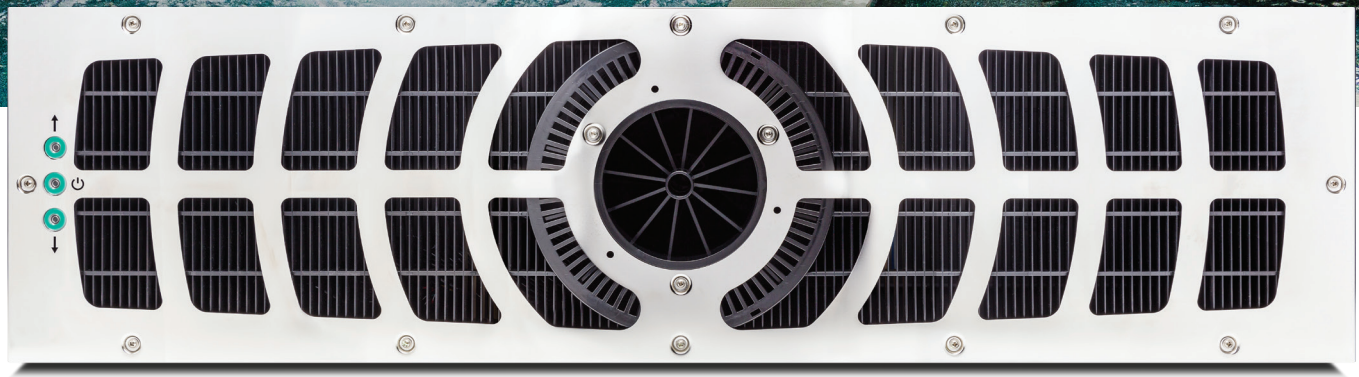


# Ready for a **REAL WORKOUT?**

Introducing the **Badu<sup>®</sup>Jet Turbo Pro** SwimJet System



For over 50 years, SPECK Pumps has been the industry leader in SwimJet System Technology. With our latest innovation, the **BaduJet Turbo Pro** system, we take swimjet technology to the next level.

The system incorporates a magnetically coupled motor for seal-free durable operation and a unique propeller providing a smooth and strong swim lane, providing the ultimate in resistance swimming.

- **1,500 Gallons Per Minute**
- **Quiet and Turbulence-Free**
- **Variable Speed**
- **No Plumbing Required**



*BaduJet Turbo Pro*  
*See it in action ...*



For more information on the BaduJet Turbo Pro and all of our BADU<sup>®</sup> SwimJet Systems, call **800.223.8538** or visit [www.badujet.com](http://www.badujet.com)

**SPECK X**  
pumps

# Badu<sup>®</sup>Jet Turbo Pro

SwimJet System

**SPECK** 

The ultimate resistance swimming system.

## Features

- 1,500 Gallons per Minute for Professional Performance.
- Propeller-Driven Design for Clean, Turbulence-Free Flow.
- Multiple Speeds for Any Level of Swimmer.
- Intuitive Controls both Underwater and on Your Phone.
- Permanent Magnet Motor for Extremely Quiet Operation.
- Innovative Direct-in-wall Design Eliminates Costly Plumbing.
- Large Anti-Entrapment Cover for Safety and Peace of Mind, Made of Durable Marine Grade 316 Stainless Steel.

## Installation Specifications

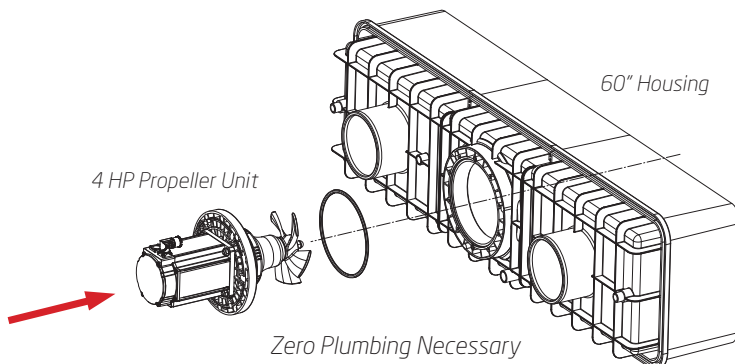
The BaduJet Turbo Pro should ideally be incorporated into the design phase of the pool.

- Requires a straight wall within the pool for installation with a clear unobstructed area in front of it measuring 10 ft wide x 20 ft long x 3 ft deep for it to be used to its full potential.
- BaduJet Turbo Pro Housing measures 60" x 17" x 16"
- A vault measuring 24" x 24" x 32" should be built behind the BaduJet Turbo Pro, allowing access to the motor and proper drainage. We recommend using a 26" x 26" HIDE Access Cover Kit (HAC26-0.8) over the vault.
- BaduJet Turbo Pro draws 29 Amps and requires a 40 Amp service.

The BaduJet Turbo Pro system is provided with installation instructions for various pool construction types. They can be installed on either new or existing pools, and on any style; but are intended for gunite or fiberglass builds.

*Read all instructions before installing.*

**Consult your physician before attempting any strenuous exercise. This product may not be challenging or satisfying for all levels of exercise.**



## Part Number

Order #	Description
JS443-9411T-100	BaduJet Turbo Pro SwimJet System (1500 GPM) - Jet Housing, Control Box with WIFI, Motor, and Variable Frequency Drive

**NOTE:** The BaduJet Turbo Pro is packed in two cartons on a pallet and shipped via truck line.

8125 Bayberry Road, Jacksonville, Florida 32256 USA | Phone: (904) 739-2626 | Fax: (904) 737-5261  
Website: [www.speck-pumps.com](http://www.speck-pumps.com)



## Trademarks and Certifications



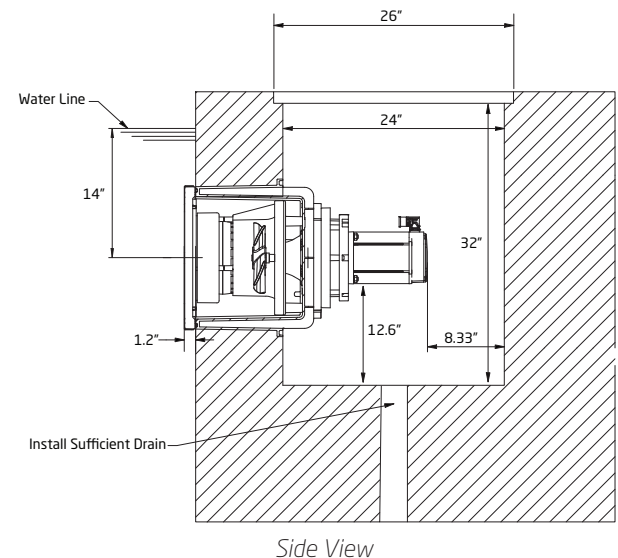
Complies with UL 1563  
CSA C22.2 No. 218.1-M89  
Swimming Pool Equipment  
Listing #E212148

VGBA 2017

## Applications

The BaduJet will instantly transform your pool and give you multiple options for aquatic exercise. Our BaduJet systems can be used for swimming, jogging, walking in place, boogie boarding and more.

## Vault Drawing



**NOTE:** Patented combined suction and discharge fitting does not require main drains.

REV. 06/2022